

# SPECIALIZED BATTERY TOOL RIT-TOOL E-FORCE3

# E FORCE 3

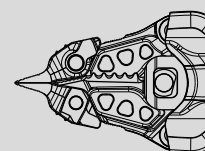
Part no.  
**1093377**



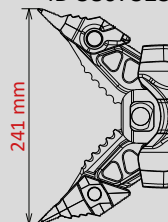
## Technical data:

Opening width	215 mm
Weight (ready for use)	13,3 kg
Dimensions (LxWxH)	773 x 192 x 241 mm
Nominal pressure	700 bar
DIN class	C100-H-E-I
EN classification (EN 13204)*	AC140H-13,3
EN cutting class (EN 13204)*	1H-2H-3H-4H-5H
NFPA cutting class (NFPA 1936)	A6-B7-C6-D7-E7-F3

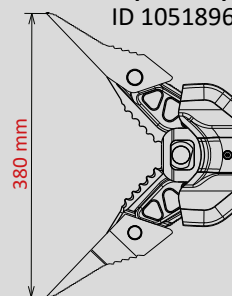
**Door opener tip**  
ID 1096859



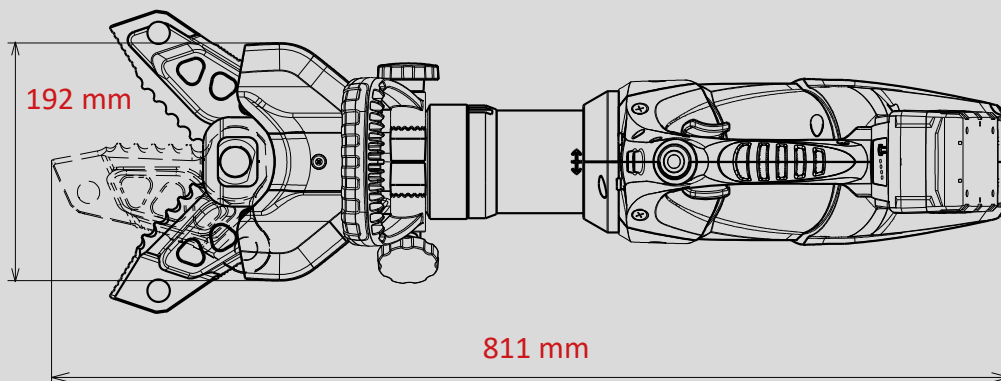
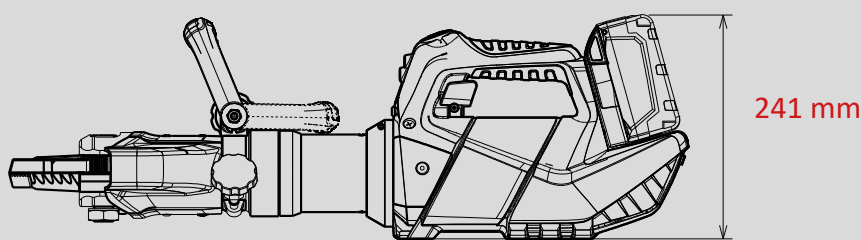
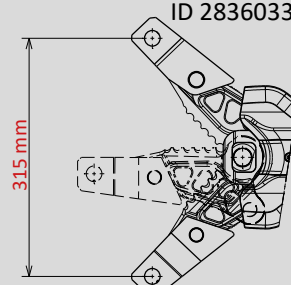
**Standard tip**  
ID 3867323



**Special tip**  
ID 1051896



**Pulling adapter**  
ID 2836033



\* According to EN 13204. Images are non-binding. We reserve the right to technical modifications.  
60004879 (C, 200778, FMU, 10.12.2020)